



# Navimow Robotic Lawn Mowers

CATALOGUE 2026

# Contents

---

**About Navimow**

---

**Technology and Products**

---

**Navimow Residential Line**

---

**Technical Specification**

---

**Navimow Commercial Line**

---

**04**

---

**08**

---

X4 Series  
10

i2 AWD  
26

H2 Series  
40

**10**

---

**54**

---

Terranox Series  
56

**56**



## About Navimow

**30+**

Countries Sold

**7**

Branch Offices

**408**

Patents

**5000+**

Stores

**3000+**

Distribution Channels

---

**2021**

### Navimow is founded

Segway-Ninebot integrated teams and resources of its Home Service Robotics Division and the AI & Robotics Technology Research Institute to establish the subsidiary Navimow.

**2022**

### Launched 1st product-H Series

Made a groundbreaking leap in innovation by integrating RTK into lawn mower.



---

## 2024 i Series - 2nd generation product released

Segway-Ninebot integrated teams and resources of its Home Service Robotics Division and the AI & Robotics Technology Research Institute to establish the subsidiary Navimow.

## 2025 Unveiled X3 Series at CES

Engineered to handle extensive greens with unmatched efficiency with upgraded, self-designed VisionFence™ and EFLS™ 3.0.

# Trusted by Media, Proven by Performance



## Navimow Residential Robotic Lawn Mower

NEW



### X4 Series

X420 2,000 m<sup>2</sup> X430 3,000 m<sup>2</sup> X450 5,000 m<sup>2</sup>

NEW



### H2 Series

H206 600 m<sup>2</sup> H210 1,000 m<sup>2</sup> H215 1,500 m<sup>2</sup>  
H230 3,000 m<sup>2</sup>

NEW



### i2 Series

i210 AWD 1,000 m<sup>2</sup>



### X3 Series

X315 1,500 m<sup>2</sup> X330 3,000 m<sup>2</sup>  
X350 5,000 m<sup>2</sup>



### i1 Series

i108 800 m<sup>2</sup>

## Navimow Commercial Robotic Lawn Mower

NEW



### Terranox Series

CM120M1 12,000 m<sup>2</sup> CM240M1 24,000 m<sup>2</sup>

# Seamlessly Hands-Free Setup, One-Click Mowing Efficiency



## Antenna-Free Network RTK Positioning

Hassle-free deployment with an antenna-free Network RTK access, eliminating needs for complex setup, guaranteeing consistent mowing performance in any weather and even the most challenging scenarios.

Available for all X Series, H2 Series, i2 AWD models



## EFLS™ LiDAR+ Positioning System

Navimow redefines positioning with a deeply integrated system that fuses LiDAR's spatial awareness and Network RTK's satellite precision, with vision providing enhanced assistance, ensuring exceptional stability.

Available for all H2 models



## New Powerful Xero-Turn™ AWD, Never Hurts Grass

Exceptional AWD conquers all terrain, for stable climbing and obstacle navigation while delivering a smooth mow comparable to zero-turn mower, all without damaging grass through slipping or scratching.

Available for all X4 Series, i2 AWD models

## Auto Mapping, Freeing up Hands Entirely

Auto-recognizes boundaries and creates freehand virtual maps without requiring manual perimeter walking.

Available for all X Series, i2 AWD and H2 models



## GeoSketch™: Real-Scene Map Editing

Transforms every garden corner into a real interactive map right on your phone. Visualize, edit, and command your mower with unparalleled accuracy.

Available for all X Series and H2 models



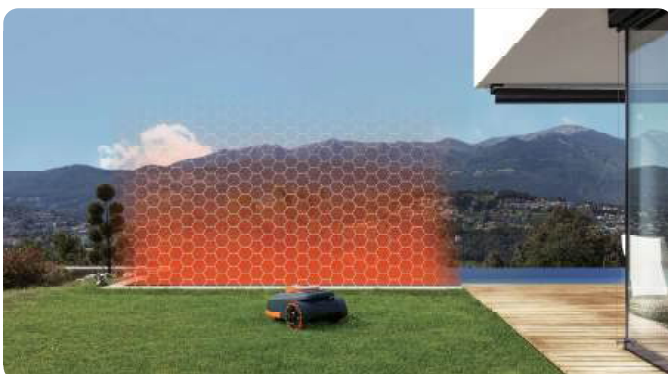
## Up to 120 Zones & No-Go Zone Management

Easily set virtual zones or no-go zones like pools and flower beds for precise mowing. Schedule customizable mowing routine for each map with ease.



## Quad-Layer Anti-Theft System

GPS tracking, Geo-fence alarm, lifted alarm and Apple Find My support. Even when powered off or offline, your mower can be located.



## Integrated Intelligence for Your Yard

Start, stop, or schedule mowing sessions with voice control for a truly hands-free, next-gen experience.



# Navimow X4 Series

**Conquer Where Others Stop.  
Care Where Others Compromise.**

Ultimate AWD System with Zero-Turn, Dominating Every Surface with Perfection.





# Achieve All-Terrain Mastery, Never Sacrifice Turf.

## ORV-Tuned Dual Suspension

Overcomes vertical obstacles up to 7cm

## Hyper-Strong Cutting Motors

Effortless handles the toughest grass

## Adaptive Dual-Disc Cutting System

Cutting width: 430mm  
Adjustable cutting height: 20-95mm  
12-Blade Dual Disc System

## Triple Camera System (Front/Left/Right)

Leading obstacle avoidance with 360° sensory field,  
enhanced EFLS™ NRTK positioning

## ToF Sensor

Providing a 0.1-2m 3D sensory range

## Safety Bumper

Collision protection



### Anti-Clogging Disc

Avoids excessive grass clipping build-up

### All-Wheel Drive System

X4's four-wheel hub motor provide industry-leading power and performance



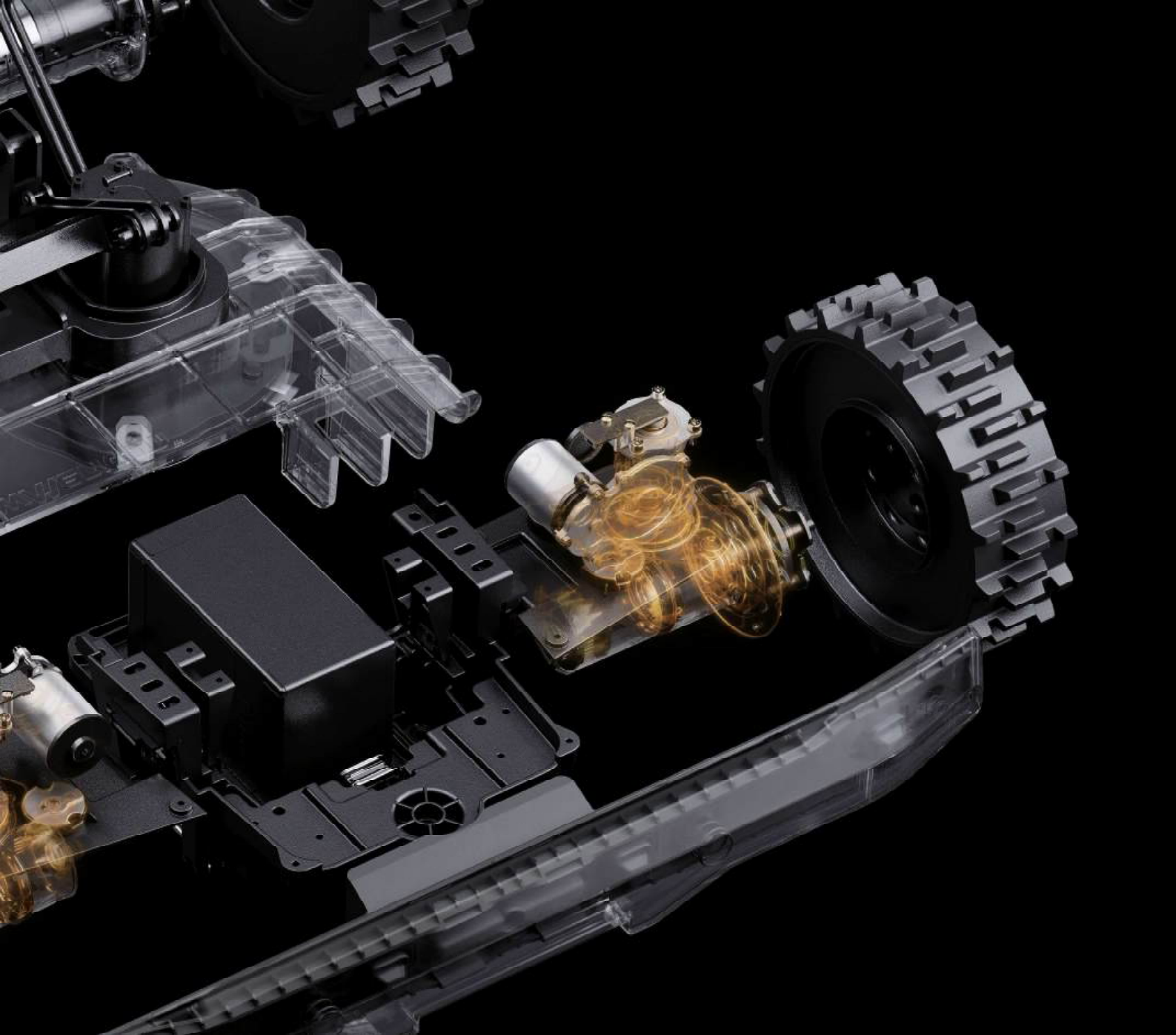
## All-New Xero-Turn™ Technology

Power unmatched. Our new ORV-tuned dual suspension system traverses obstacles up to 7cm and conquers slopes up to 84%.

### Master Every Slope, Obstacle, Surface.

Handles all complex terrain, ensuring stability and performance no matter the layout.





Stone Paths



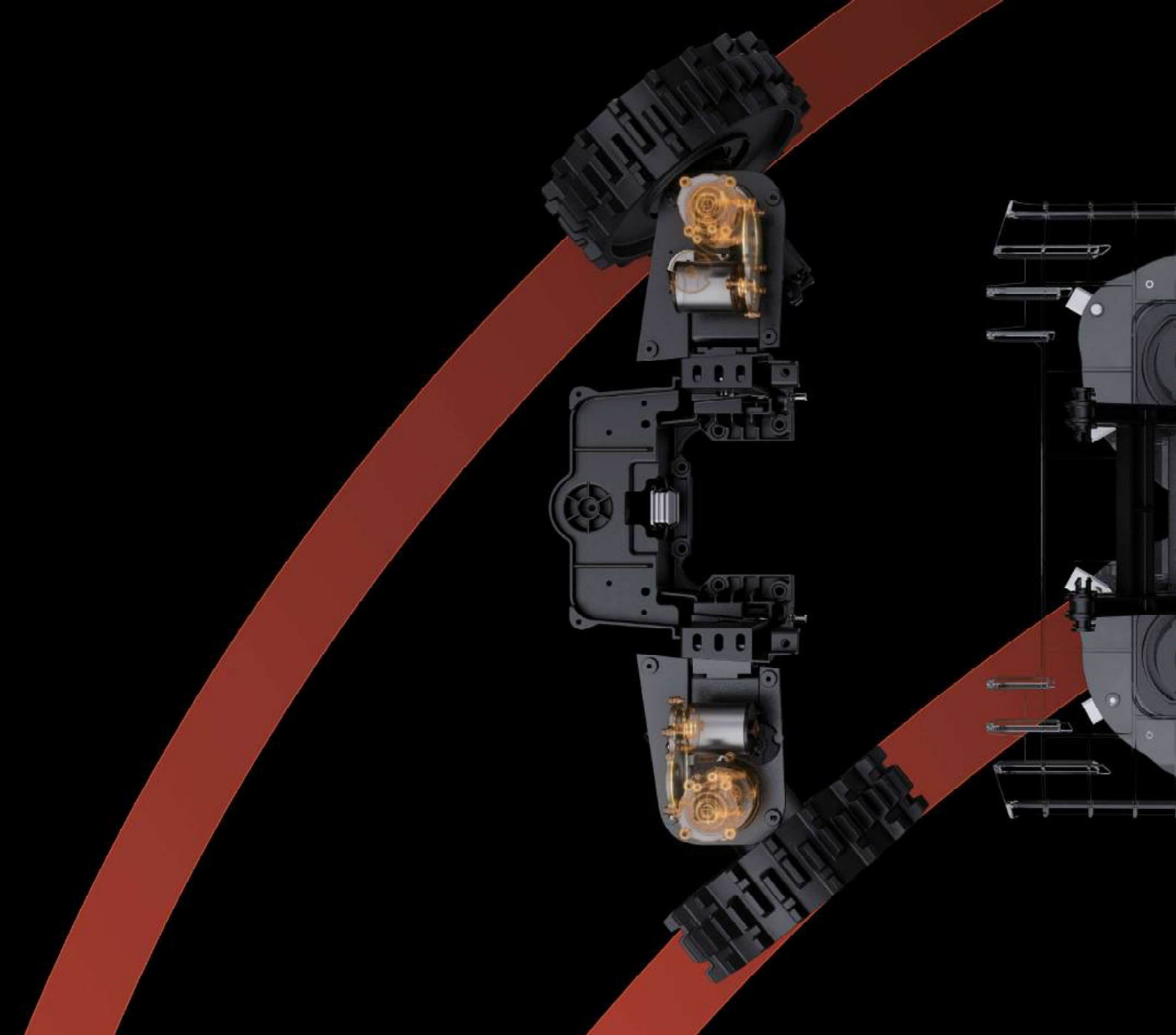
Kerb of Border



Potholes



Gravel Paths



# Pioneering Zero-Turn Steering for Damage-Free Turf

Unlike other products that rely on brute force overlay for traversing—often damaging lawns—our **Xero-Turn™AWD** expertly balances hyper-powerful wheel surges with agile obstacle handling, ensuring a smooth movement equivalent to zero-turn mowers without harming grass.



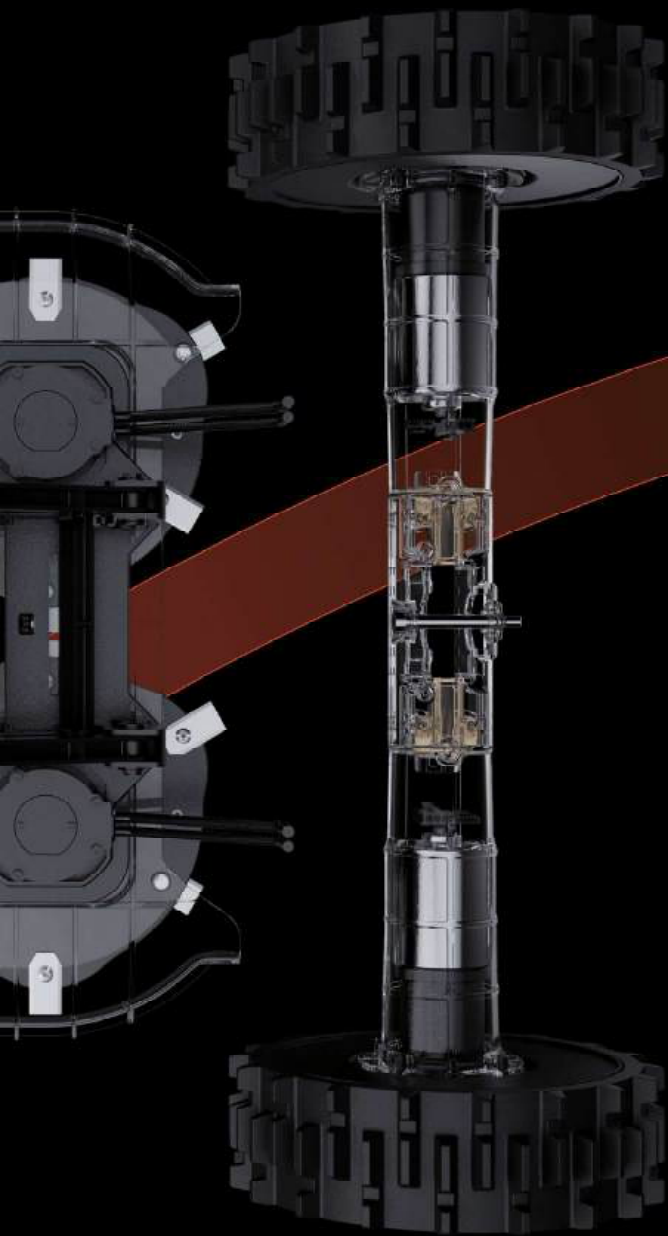
**Pioneering Application -- Front Wheel Zero-Turn Steering**



**Traction Control System**



**Adaptive Blade System**



### No Scraping

Switch between zero-turn and automotive-grade Ackerman steering, enabling flexible turning on any surfaces.



### No Slipping

Patented TSC Technology adjusts torque on low-adhesion surfaces like wet grass or soft grass in real-time.



### No Grass Wearing

Reactively adapts to uneven and rough ground for a consistent cut instead of scraping off protruding grass.



# Revolutionized MowMentum™

Powered by an ultra-efficient cutting tech - MowMentum™, X4 Series delivers unmatched mowing performance across all grass types, from thick and tall to dense and hard.

## Triple Efficiency



430mm Cutting Width



Up to 0.8m/s Walk Speed



224W Fast Charging



2×180W  
Cutting Motors

## Delicate Mowing for All Grass

Even the toughest lawns and edges, plus difficultes.



20-95mm  
Cutting Height



Smart Cutting  
Algorithm



EdgeSense™

# Perfect Finished, All Before Dusk



120 Zones & No-Go Zone Management



Maintain Yards of Max. 5,000m<sup>2</sup>



Zero-Distance Cutting



Cut-to-Edge Perfection



Any Grass Type, Handled

# Hands-Free Setup, Real-Scene Mapping

## Auto Mapping, Freeing up Hands Entirely

Auto-recognizes boundaries and creates freehand virtual maps without requiring manual walking.



## Real-Scene Mapping, Real-Time Boundaries

Powered by **GeoSketch™** technology, providing top-down real-scene map, visualized edge editing for intuitive revision.

# No Antenna Needed, Drop and Mow



**No Antenna Needed**



Network RTK Access as Standard,  
No Extra Cost.

## EFLS™ NRTK Positioning: Network RTK + 360°Vision + VIO

Upgraded triple-frequency Network RTK and 360° camera VSLAM and VIO technologies, ensuring centimeter-level precision and stable positioning without signal loss in all complex scenarios.



Front & Back Yard



Narrow Paths



Under Trees

# AI-Powered 360° VisionFence™ for Panoramic Obstacle Avoidance

High-Sensitivity Detection and Smart Avoidance



**200+** obstacles recognized



Cat



Dog



Chicken



Goose



Sheep



Rabbit



Fox



Cow



Squirrel



Hedgehog

## Integrated with Smart Home Apps

Easily start, stop, or schedule mowing sessions with voice control for a hands-free experience.



## Redefining Mowing with Seamless Intelligence



### IPX6 Waterproof

Quick and easy to clean, supporting high-pressure washing for fast maintenance.



### Full Weather Adaptability

Adapt and auto-adjust mowing plan during extreme weather.



### Noise level < 68dB(A)

Operates with lower noise, only ever as loud as a conversation.



### Quad-Layer Anti-Theft

Supports GPS tracking, Geofence alarm, lifted alarm and Apple Find My, Even when powered off/offline.



### OTA Updates

Seamless updates via the Navimow app, with regular new features and updates.



### Lawn Graphics

Add a creative flair to yard with Doodle. Creating stunning designs that make your lawn stand out.



### 3-Year Warranty

A 3-year warranty gives you complete peace of mind.



### Rain Sensor

Built-in rain sensor can detect rains and pause mowing to return home.

Models	X420	X430	X450
<b>Recommended Mowing Area</b>	2000 m <sup>2</sup>	3000 m <sup>2</sup>	5000 m <sup>2</sup>
<b>Dimensions</b>	850 × 610 × 351 mm	850 × 610 × 351 mm	850 × 610 × 351 mm
<b>Net Weight</b>	28.8 kg	28.9 kg	29.2 kg
<b>Locating System</b>	EFLS™ NRTK (NRTK + 360°Vision + VIO)	EFLS™ NRTK (NRTK + 360°Vision + VIO)	EFLS™ NRTK (NRTK + 360°Vision + VIO)
<b>Object Detection System</b>	VisionFence™ (360°RGB Camera + ToF)	VisionFence™ (360°RGB Camera + ToF)	VisionFence™ (360°RGB Camera + ToF)
<b>Driving Engine</b>	4WD with dual independent steering motors	4WD with dual independent steering motors	4WD with dual independent steering motors
<b>Noise Level</b>	68 dB(A)	68 dB(A)	68 dB(A)
<b>Protection Level</b>	IP66	IP66	IP66
<b>Weather Adaptive</b>	Weather Forecast + Rain Sensor	Weather Forecast + Rain Sensor	Weather Forecast + Rain Sensor
<b>Maximum Slope Ability</b>	84%(40°)	84%(40°)	84%(40°)
<b>Antenna Installation Request</b>	No	No	No
<b>Auto-Mapping</b>	Yes	Yes	Yes
<b>Auto-Recharge</b>	Yes	Yes	Yes
<b>Vertical Passing Ability</b>	7 cm (15 cm of Gentle Slope)	7 cm (15 cm of Gentle Slope)	7 cm (15 cm of Gentle Slope)
<b>Multi-zone Management</b>	120	120	120
<b>GeoSketch™</b>	Yes	Yes	Yes
<b>Battery Capacity</b>	10 Ah	12.8 Ah	15 Ah
<b>Charging Time</b>	75 min	90 min	100 min
<b>Continuous Mowing Area per Day</b>	2000 m <sup>2</sup> in 8 hrs	3000 m <sup>2</sup> in 11 hrs	5000 m <sup>2</sup> in 15 hrs
<b>Cutting Height</b>	2-9.5 cm, 0.5 cm increments	2-9.5 cm, 0.5 cm increments	2-9.5 cm, 0.5 cm increments
<b>Cutting Height Adjustment Method</b>	Auto	Auto	Auto
<b>Cutting Width</b>	43 cm	43 cm	43 cm
<b>Floating Cut System</b>	Yes	Yes	Yes
<b>Anti-Clogging Cutting Disc</b>	Yes	Yes	Yes
<b>Cutting Disc</b>	2 Discs, 12 Blades	2 Discs, 12 Blades	2 Discs, 12 Blades
<b>GPS tracking</b>	GPS + Find My	GPS + Find My	GPS + Find My
<b>Out-of-boundary Alarm</b>	Yes	Yes	Yes
<b>Object Recognition</b>	200+	200+	200+
<b>Smart Home Integration</b>	Alexa & Google Home	Alexa & Google Home	Alexa & Google Home
<b>Warranty</b>	Device: 3 Years / Battery: 2 Years	Device: 3 Years / Battery: 2 Years	Device: 3 Years / Battery: 2 Years
<b>Connectivity</b>	Bluetooth & Wi-Fi & Cellular *	Bluetooth & Wi-Fi & Cellular *	Bluetooth & Wi-Fi & Cellular *
<b>Display</b>	3.5' LCD Screen	3.5' LCD Screen	3.5' LCD Screen
<b>OTA Updates</b>	Yes	Yes	Yes

\* Connect+ (Cellular Connection): 1 year free for X420/X430 and 2 years free for X450, renewable for all models annually.



# Navimow i2 Series

**Master the Rough. Turn with Care.**

Advanced AWD System Ensures Stability Across All Terrains While Preserving Lawns.





# All-Wheel-Drive, All-Terrain Performance.

## VisionFence™

Intelligent AI obstacle avoidance technology for worry-free mowing

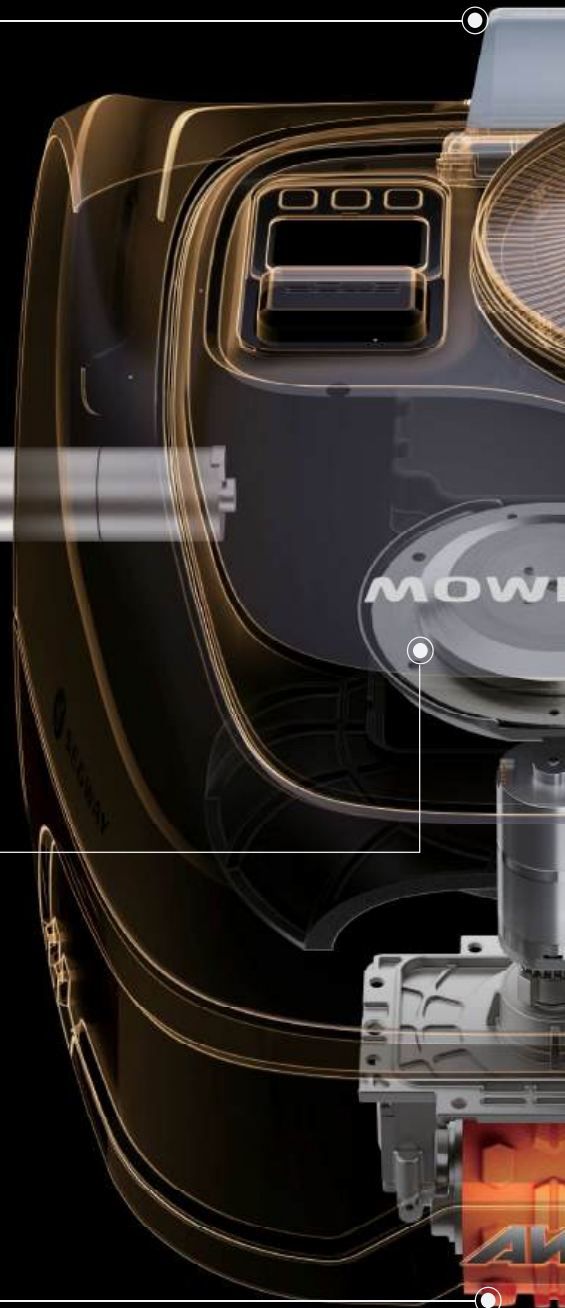


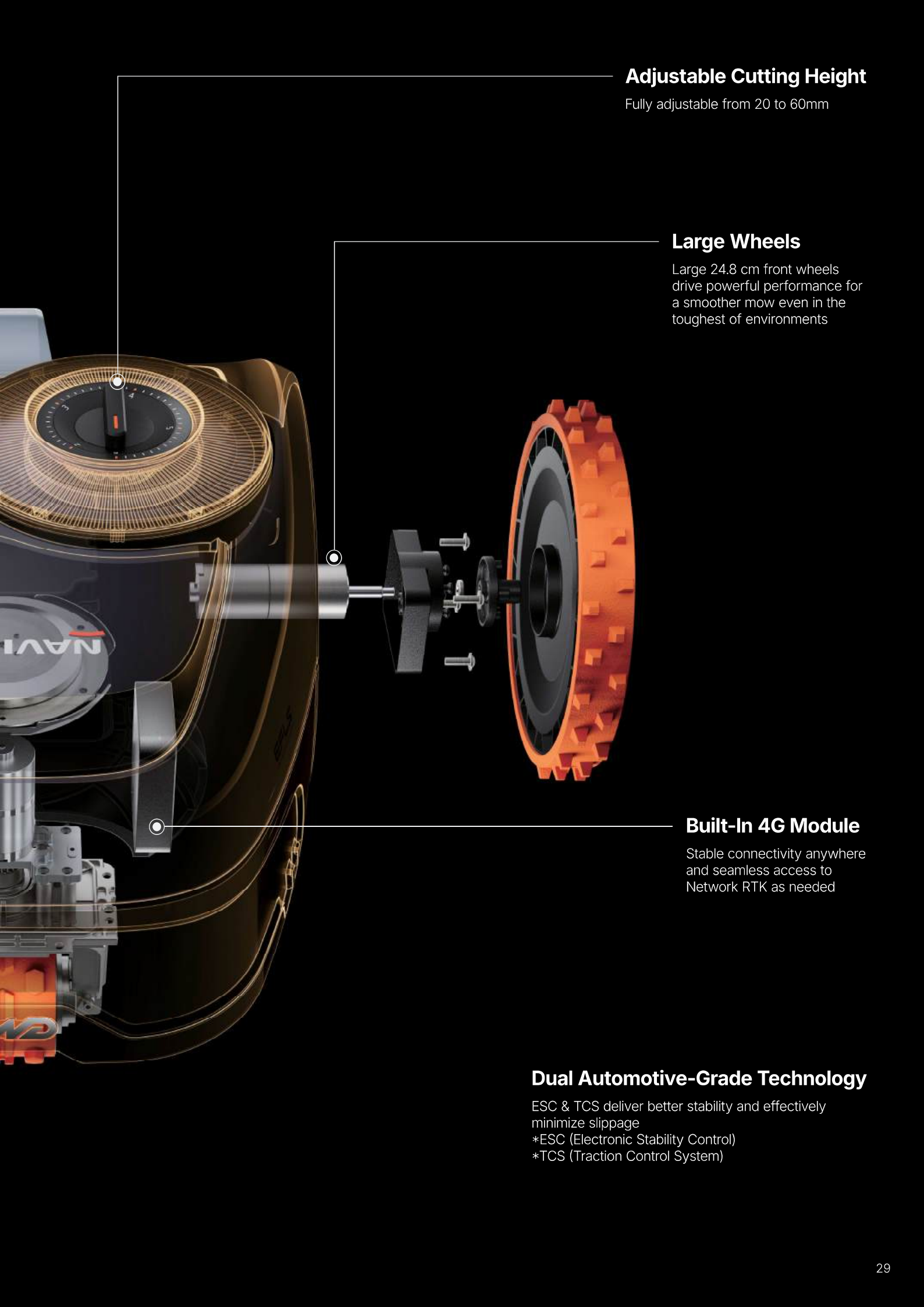
## EFLS™ NRTK

Access Network RTK for antenna-free deployment. The upgraded triple-frequency Network RTK and vision dual-fusion system delivers ultra-precise, centimeter-level accuracy

## Xero-Turn™ AWD

All-new drive system for maximum traversability and agile turns, delivering powerful terrain mastery and grass-friendly care





**Adjustable Cutting Height**

Fully adjustable from 20 to 60mm

**Large Wheels**

Large 24.8 cm front wheels drive powerful performance for a smoother mow even in the toughest of environments

**Built-In 4G Module**

Stable connectivity anywhere and seamless access to Network RTK as needed

**Dual Automotive-Grade Technology**

ESC & TCS deliver better stability and effectively minimize slippage

\*ESC (Electronic Stability Control)

\*TCS (Traction Control System)

# Pioneering **Xero-Turn™** AWD Technology Power with Next-Level Performance

## Power to Conquer: **Xero-Turn™** AWD Powered, All-Terrain Mastery

Equipped with an all-wheel-drive system and 24.8 cm off-road wheels, the mower easily conquers complex landscapes while maintaining smooth, stable movement across uneven terrain.



It handles slopes up to 45% (24°) and traverses root-heavy areas, 4cm vertical steps, and uneven stone paths with ease. Whether on gravel paths or rugged terrain, it stays in control without getting stuck.



**Confidently Handles 45% Slopes**



**Up to 4cm Vertical Steps**



**Traverse Root-Heavy Terrain**



**Across Stone Paths**

# AWD × Built-In ESC (Electronic Stability Control) Synergy Handles 45% Slope with All-Round Stability

Unlike other two-wheel products, the mower dynamically adjusts its slope trajectory to maintain straight and stable movement in any direction, delivering consistent, even mowing on slopes.

- ✓ Lateral Hill Traverse
- ✓ Hill Reverse
- ✓ Steady Hill Turns
- ✓ Diagonal Hill Traverse



Full Slope Mowing Coverage

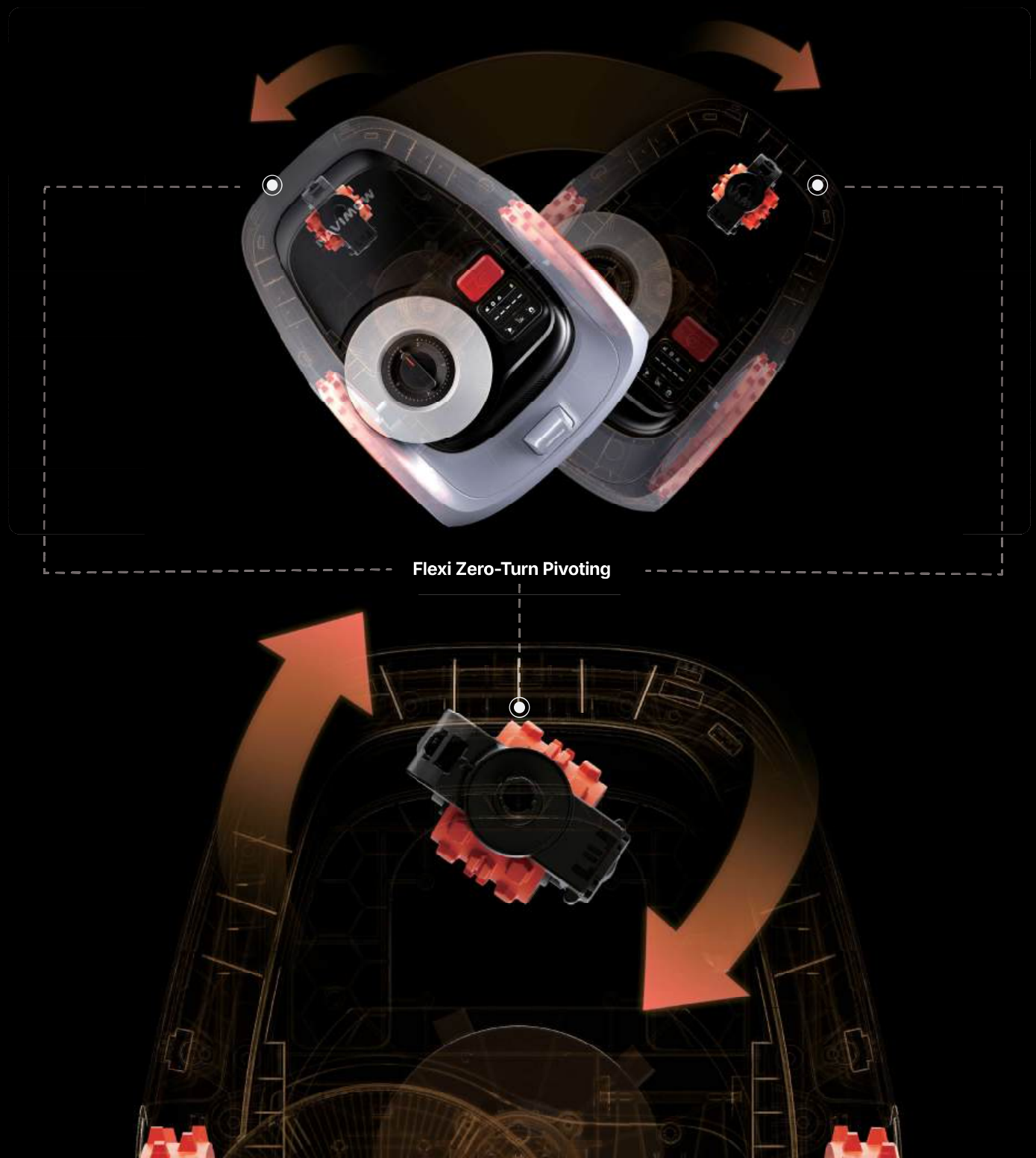


Consistently Even Mowing Quality

# Power with Care: Anti-Scraping, Anti-Slipping, Never Hurts Grass

## Flexi Zero-Turn Pivoting without Scraping Grass

Our concentric rear-wheel design delivers smooth zero-turn pivoting without turf tearing, eliminating dragging and scraping that can damage your lawn. Enjoy flawless, turf-friendly turns with every pass.



## AWD × TCS (Traction Control System) Synergy Minimal Slippage and Damage

With TCS (Traction Control System) reacting in just 25ms, traction is constantly adjusted to match ground conditions. Even on wet or slick grass, the mower glides with minimal slippage, protecting your lawn from bruising or ripping.



## Power that Adapts: Adaptive Drive, 30% Energy Boost\*

The third rear wheel activates only when needed, adjusting to terrain changes and reducing energy use. This improves efficiency and extends runtime by up to 30%.



\*Energy efficiency data based on internal controlled lab testing. Adaptive all-wheel drive (3AWD) demonstrated up to 30% longer runtime compared with continuous 3AWD operation. Actual results may vary depending on terrain and mowing conditions.

# No Wires, No Antenna, Easy Deployment

## Network RTK Access, No Antenna Needed

Connect instantly with just one tap using the Network RTK, and enjoy a completely wire-free, easy-to-install setup. A local antenna is also included in the box, giving you the flexibility to choose your preferred installation method for optimal connectivity.



For more information about the Network RTK, Scan the QR code to visit our official website.

## EFLS™ NRTK: Network RTK+Vision Dual Precision No Signal Loss, Even in Hard-to-Reach Places

### Enhanced Triple-Frequency Network RTK Performance

An upgrade from dual to triple-frequency Network RTK delivers 30% more accuracy and improved signal stability.

### Vision-Enhanced for Precise Positioning, Anywhere

Vision-enhanced fusion positioning ensures centimeter-level precision, even in narrow passages and densely obstructed environments.



Upgraded to triple-frequency Network RTK



Across Narrow Pathways



Beneath Tall Trees

## Hands-Free Auto Mapping, Minimal Human Effort

Simply place the mower and tap once in the app, it will automatically scan and map your entire lawn, creating a precise lawn map effortlessly with intelligent boundary detection.



## VisionFence™: AI-Powered 150+ Obstacle Avoidance

The mower uses advanced vision and AI algorithms to accurately detect pets, tools, and even tiny obstacles as small as 1 cm. It intelligently decides whether to mow or avoid them, rerouting within 0.1 seconds while maintaining a safe distance of at least 1 meter for safety.



Cat



Squirrel



Dog



Cow



Hedgehog



Wood



Garden Light



Telegraph Pole



Electric Saw



Fountain

# Your Smart Mowing Companion

## Voice Command Convenience with Smart Home Compatibility

Compatible with major smart home systems such as Alexa, Google Home, it allows you to control your mower effortlessly with a single voice command, letting you enjoy a truly hands-free, smart mowing experience.



## Smart Anti-Theft System

**Dual Alarms:** Instant app notifications when the mower is lifted or exits the boundary, keeping your unit safe.

**Real-Time GPS Tracking:** Track your mower's live location anytime in the Navimow App for added security.



## 5 Extreme Weather-Adapted Mowing

Capable of identifying five weather conditions-wind, frost, rain, snow, and high temperature, and automatically adjusts mowing to avoid operating in adverse weather, protecting both the grass and the device.



# Highly Durable, Built to Last

## IP66 Rated, Completely Waterproof & Dustproof

Built to withstand rain, dust, and dirt. Easy to rinse clean for effortless maintenance.



## 59dB(A) Ultra Quiet Mowing

Delivers low-noise mowing for your comfort, without disturbing family, pets, or neighbors.



## 3-Year Warranty

Up to 3-year warranty for carefree long-term use.



<b>Model</b>	<b>i210 AWD</b>
Recommended Mowing Area	1,000 m <sup>2</sup>
Dimensions	545 x 385 x 285 mm
Net Weight	12.3 kg
Locating System	EFLS™ NRTK (NRTK + Vision)
Object Detection System	VisionFence™ (140°RGB Camera)
Driving Engine	3 AWD
Noise Level	59 dB(A)
Protection Level	IP66
Weather Adaptive	Weather Forecast
Maximum Slope Ability	45%(24°)
Antenna Installation Request	No
Auto-Mapping	Yes
Auto-Recharge	Yes
Vertical Passing Ability	4 cm
Multi-Zone Management	20
Battery Capacity	5.1 Ah
Charging Time	120 min
Continuous Mowing Area per Day	1,500 m <sup>2</sup> / 24 Hours
Cutting Height	2-6 cm
Cutting Height Adjustment Method	Manual
Cutting Width	18 cm
Cutting Disc	1 Disc, 5 Blades
GPS tracking	Yes
Out-of-Boundary Alarm	Yes
Lifted Alarm	Yes
Object Recognition	150+
Warranty	Device: 3 Years / Battery: 2 Years
Smart Home Integration	Alexa & Google Home
Connectivity	Bluetooth & Wi-Fi & Cellular *
Display	LED Digital Display
OTA Updates	Yes

\*Connect+ (Cellular Connection): 1 year free for all i2 AWD models, renewable annually.



# Navimow H2 Series

**Always on Track. Master Every Scene.**

AI triple fusion system: High-res solid-state LiDAR + Network RTK + Vision for absolute precision and reliability.





# Unwavering Precision. Engineered for Complex Yards.

## AI Triple Fusion System

High-res solid-state LiDAR + Network RTK + Vision  
Ultimate navigation

## GeoSketch™

Real-scene map in app  
Intuitive editing

## LiDAR-Driven Slope Mastery

Terrain Adapt + Electronic Stability Control

## Drop and Mow

No wires  
No antenna  
Automatic mapping





### **EdgeSense™**

Zero-edge cutting with ride-on boundary mode  
Cuts just 5 cm from walls

### **Unstoppable Cutting Performance**

100W peak power motor  
Anti-clogging disc + 6 blades  
Rugged off-road tires

### **VisionFence™**

Identifies 200+ obstacles  
1 cm detection precision  
Animal friendly

# High-Resolution LiDAR A Generational Leap, Redefining Precision Mapping

## Groundbreaking 3D Spatial Intelligence

Pioneering LiDAR technology scans your space at nearly 200,000 points per second, meticulously crafting an ultra-dense 3D point cloud that leaves no dead zones. Every tiny detail is captured for rock-steady navigation day in, day out.



**200,000 Pts/Sec**

More Precise

**>4x Higher Resolution**

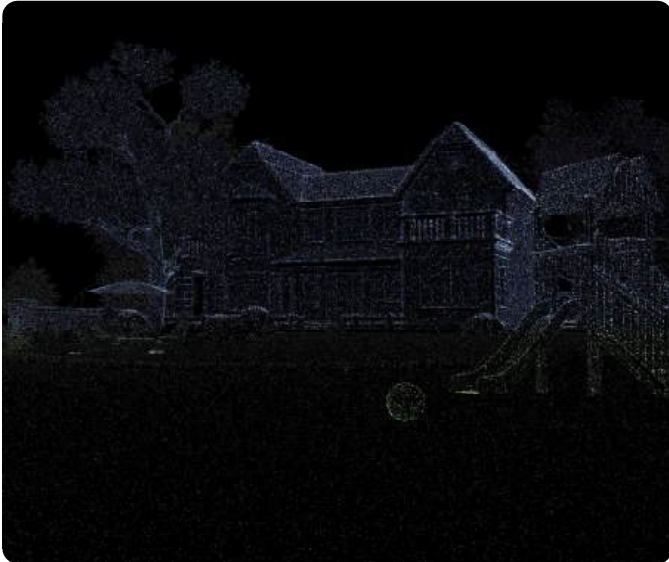
Sharper Details vs Others

**70 m Long Detection Range**

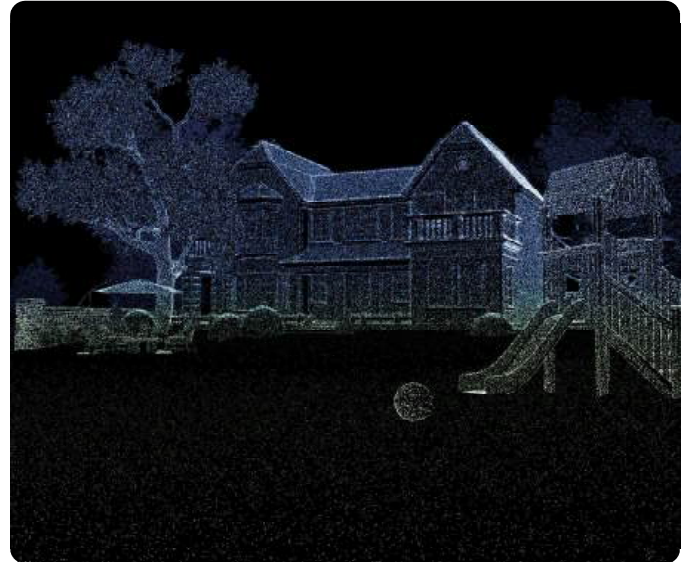
Sees Farther

**50 ms Scan Interval**

Reacts Faster



Others



Navimow

## Revolutionary **GeoSketch™** Technology. Sees What Your Eyes See

Powered by high-res LiDAR and vision tech, H2 transforms every garden corner into a real interactive map right on your phone. Visualize, edit, and command your mower with unparalleled accuracy. Drag and drop to customize your mow to perfection.



# AI Triple Fusion System: LiDAR + NRTK + Vision

## EFLS™ LiDAR+. Centimeter-Level Accuracy Anywhere, Anytime

The H2 Series redefines navigation with a deeply integrated system that fuses LiDAR's spatial awareness and Network RTK's satellite precision, with vision providing enhanced assistance. The breakthrough? It seamlessly switches positioning modes in just 1 ms (faster than you can blink) for uncompromising performance.

Network RTK access as standard. No extra cost.



Under Trees



Narrow Paths



Open Terrain

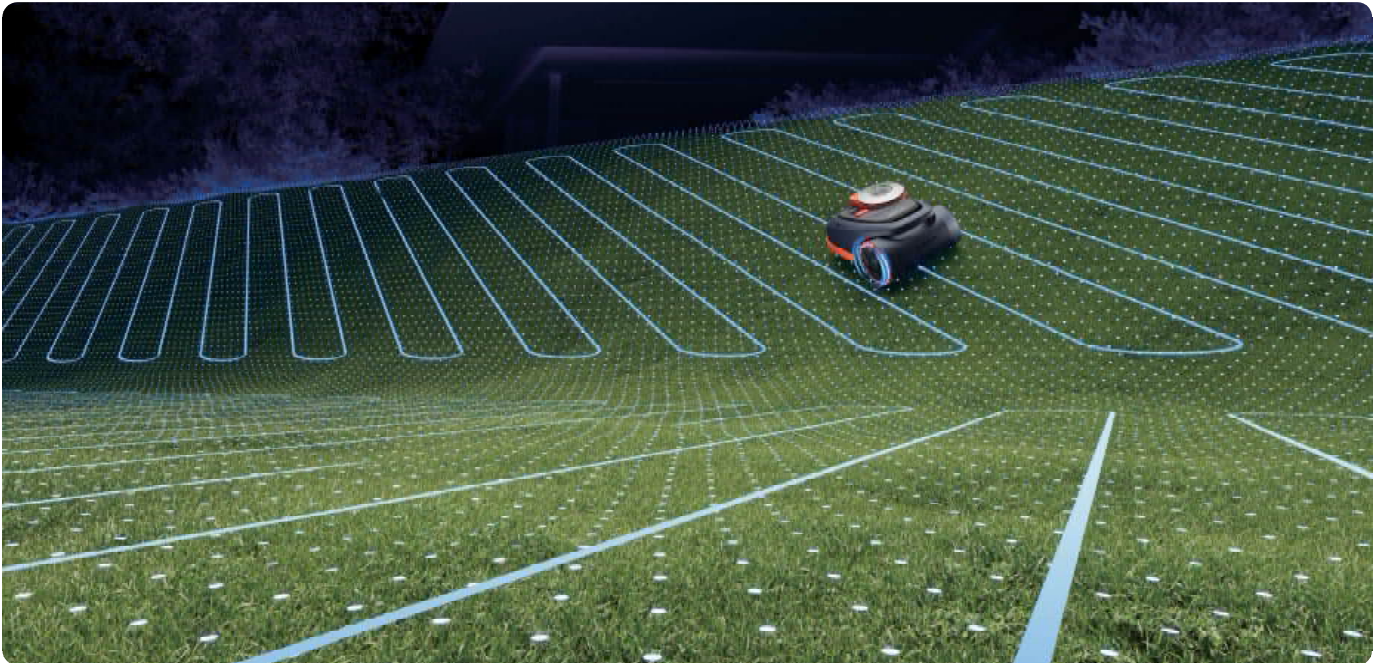


At Night

## LiDAR-Driven Slope Mastery

With 3D Terrain Adapt tech, complex lawns are broken into optimal work zones, picking efficient mowing paths especially for inclines.

Paired with a new ESC (Electronic Stability Control) system, H2 precisely regulates wheel speeds during turns to optimize the mower's center of gravity, tackling 45%(24°) slopes with absolute stability. No slipping, no struggle, just flawless cuts with effortless grace.



## VisionFence™: Total Peace of Mind LiDAR + Vision Pinnacle Perception. 200+ Obstacle Avoidance

### 1 cm Detection Accuracy:

Precision beyond limits. No detail too small. High-res LiDAR and vision empower H2 to flawlessly avoid even the smallest obstacles--chair legs, pet toys, and more.

### Suspended Objects:

With 3D LiDAR perception, the mower intelligently assesses clearance (including swings, trampolines and more) passing underneath only when space permits. It confidently avoids risky area like car undercarriages.

### Animal Friendly:

LiDAR's long detection range ensures early detection of over 20 animal types and maintains a 1-meter safe distance during operation, while a 3-direction bumper sensor provides an extra layer of physical safety.



## Built-In Solid-State LiDAR Module. Built to Endure

Unmatched durability proven through 60+ rigorous reliability tests and 50G vibration shocks, setting a new benchmark that far exceeds industry standards. It takes on bumps and falling objects, maintaining unwavering performance throughout.



## Skip the Setup. Just Drop, and Mow. Truly Effortless

No wires, no antenna, and flexible charging dock location thanks to our latest LiDAR navigation. Unbox, connect, press start to perform right away. Giving you back time, freedom, and a perfect lawn without the hassle. Voice control via Alexa and Google Home. Garden care has never been this easy!



# Powerful Mowing Right Down to Details

## Unstoppable Cutting Performance for Tough Lawns

100W peak power motor, 6 blades, and an anti-clogging disc help shred thick grass without hesitation.



Engineered with rugged off-road tires to maximize traction while taking care to avoid damage to grass.



## EdgeSense™: Perfection in the Smallest Spaces

**Ride-On Mode:** Glides across terrain transitions effortlessly, delivering flawless cuts along the edges.

**Standard Mode:** Cuts as close as 5 cm from walls and fences. Transforms messy borders into crisp, clean lines.



# Relax, Everything's Handled

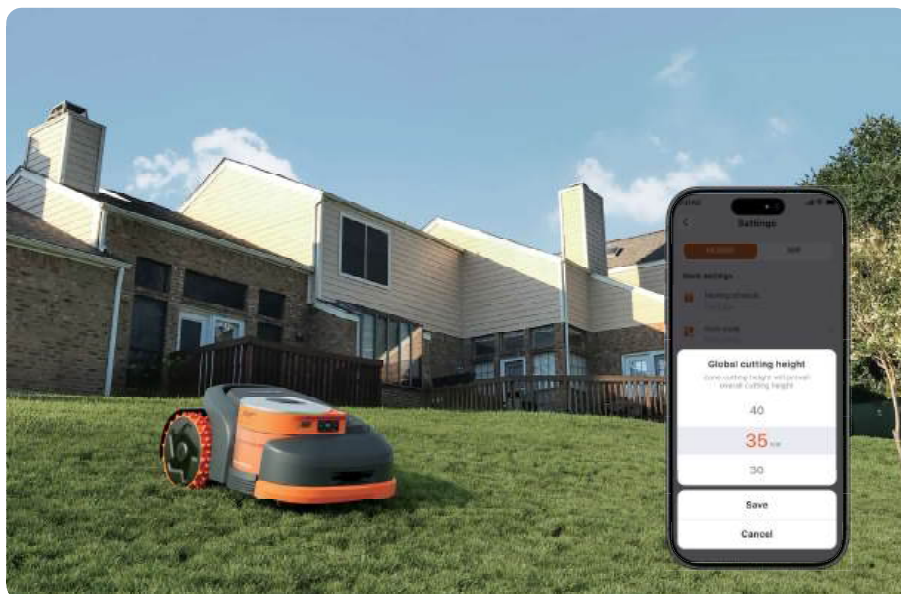
## 30-Zone Management

Schedule up to 30 unique areas so that every patch is perfectly manicured.



## In-App Adjustable Cutting Height

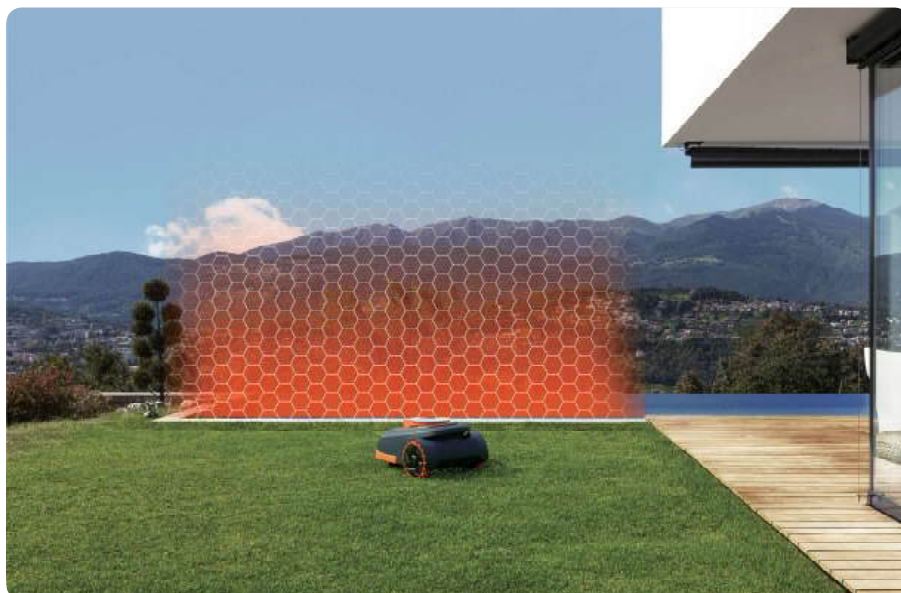
Customize cutting height (2-7 cm) in app.



## Quadruple Anti-Theft System

GPS tracking, geo-fence alarm, lifted alarm and Apple Find My support ensure your mower stays protected, even when powered off or offline.

Our Proximity Unlock automatically recognizes your phone to disable alarms when you're nearby.





## Extreme Weather Ready

Built-in rain sensor and weather forecasting keep your H2 one step ahead. When it detects heavy rain, snow, frost, strong wind, or extreme heat, it pauses mowing and heads home automatically.



## IP66 Waterproof & Dustproof

Hassle-free daily cleaning. Just rinse it off without worry.



## Whisper-Quiet at 60 dB(A)

Operates with nothing but quiet, peaceful and comfortable "whisper."



## Up to 3-Year Warranty

A 3-year warranty gives you complete peace of mind.

Models	H206	H210	H215	H230
Recommended Mowing Area	600 m <sup>2</sup>	1,000 m <sup>2</sup>	1,500 m <sup>2</sup>	3,000 m <sup>2</sup>
Dimensions	624 × 445 × 295 mm	624 × 445 × 295 mm	624 × 445 × 295 mm	624 × 445 × 295 mm
Net Weight	15.65 kg	15.65 kg	16 kg	16.25 kg
Locating System	EFLS™ LiDAR+ (LiDAR + NRTK + Vision)	EFLS™ LiDAR+ (LiDAR + NRTK + Vision)	EFLS™ LiDAR+ (LiDAR + NRTK + Vision)	EFLS™ LiDAR+ (LiDAR + NRTK + Vision)
Object Detection System	VisionFence™ (140°RGB Camera + LiDAR)	VisionFence™ (140°RGB Camera + LiDAR)	VisionFence™ (140°RGB Camera + LiDAR)	VisionFence™ (140°RGB Camera + LiDAR)
Driving Engine	Rear-Wheel Drive	Rear-Wheel Drive	Rear-Wheel Drive	Rear-Wheel Drive
Noise Level	60 dB(A)	60 dB(A)	60 dB(A)	60 dB(A)
Protection Level	IP66	IP66	IP66	IP66
Weather Adaptive	Weather Forecast + Rain Sensor	Weather Forecast + Rain Sensor	Weather Forecast + Rain Sensor	Weather Forecast + Rain Sensor
Maximum Slope Ability	45% (24°)	45% (24°)	45% (24°)	45% (24°)
Auto-Mapping	Yes	Yes	Yes	Yes
Auto-Recharge	Yes	Yes	Yes	Yes
Vertical Passing Ability	3 cm	3 cm	3 cm	3 cm
Multi-zone Management	30	30	30	30
GeoSketch™	Yes	Yes	Yes	Yes
Battery Capacity	5.1 Ah	5.1 Ah	7.65 Ah	10 Ah
Charging Time	110 min	70 min	90 min	120 min
Continuous Mowing Area per Day	2,100 m <sup>2</sup> / 24 Hours	2,800 m <sup>2</sup> / 24 Hours	3,300 m <sup>2</sup> / 24 Hours	3,800 m <sup>2</sup> / 24 Hours
Cutting Height	2-7 cm	2-7 cm	2-7 cm	2-7 cm
Cutting Height Adjustment Method	Auto	Auto	Auto	Auto
Cutting Width	22 cm	22 cm	22 cm	22 cm
Anti-Clogging Cutting Disc	Yes	Yes	Yes	Yes
Cutting Disc	1 Disc, 6 Blades	1 Disc, 6 Blades	1 Disc, 6 Blades	1 Disc, 6 Blades
GPS tracking	Yes	Yes	Yes	Yes
Out-of-boundary Alarm	Yes	Yes	Yes	Yes
Lifted Alarm	Yes	Yes	Yes	Yes
Proximity Unlock	Yes	Yes	Yes	Yes
Find My	Yes	Yes	Yes	Yes
Object Recognition	200+	200+	200+	200+
Warranty	Device: 3 Years Battery: 2 Years	Device: 3 Years Battery: 2 Years	Device: 3 Years Battery: 2 Years	Device: 3 Years Battery: 2 Years
Smart Home Integration	Alexa & Google Home	Alexa & Google Home	Alexa & Google Home	Alexa & Google Home
Connectivity	Bluetooth & Wi-Fi & Cellular *	Bluetooth & Wi-Fi & Cellular *	Bluetooth & Wi-Fi & Cellular *	Bluetooth & Wi-Fi & Cellular *
Display	2.4' LCD Screen	2.4' LCD Screen	2.4' LCD Screen	2.4' LCD Screen
OTA Updates	Yes	Yes	Yes	Yes

\*Connect+ (Cellular Connection): 1 Year free for all H2 models, renewable annually.



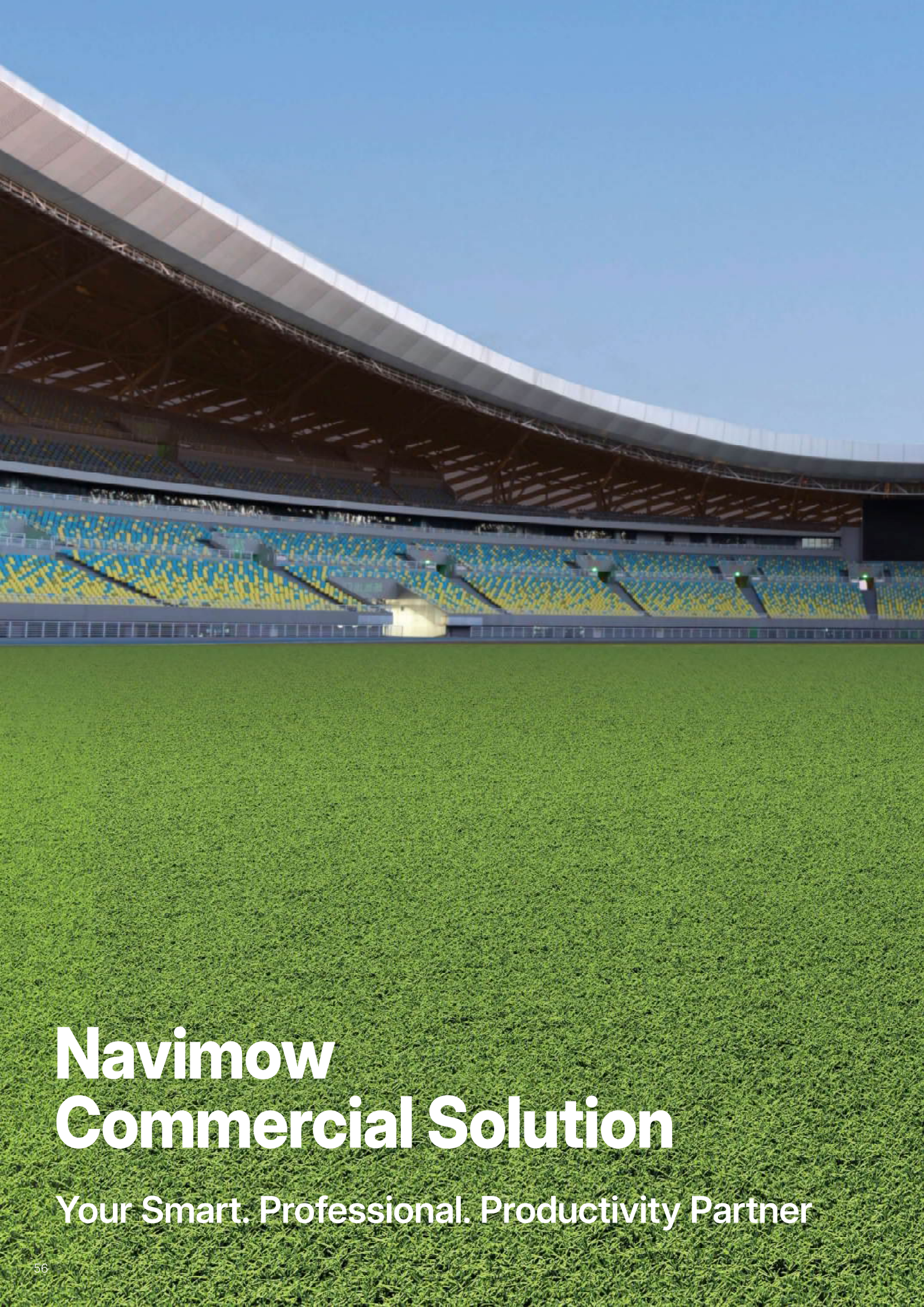
EDGE SENSE

WARNING! WARNING!  
ADJUST TO SUIT SURFACE

				
Models	X420	X430	X450	i210 AWD
Recommended Mowing Area	2,000 m <sup>2</sup>	3,000 m <sup>2</sup>	5,000 m <sup>2</sup>	1,000 m <sup>2</sup>
Dimensions	850 × 610 × 351 mm	850 × 610 × 351 mm	850 × 610 × 351 mm	545 × 385 × 285 mm
Net Weight	28.8 kg	28.9 kg	29.2 kg	12.3 kg
Locating System	EFLS™ NRTK (NRTK + 360°Vision + VIO)	EFLS™ NRTK (NRTK + 360°Vision + VIO)	EFLS™ NRTK (NRTK + 360°Vision + VIO)	EFLS™ NRTK (NRTK + Vision)
Object Detection System	VisionFence™ (360°RGB Camera + ToF)	VisionFence™ (360°RGB Camera + ToF)	VisionFence™ (360°RGB Camera + ToF)	VisionFence™ (140°RGB Camera)
Driving Engine	4WD with dual independent steering motors	4WD with dual independent steering motors	4WD with dual independent steering motors	3 AWD
Noise Level	68 dB(A)	68 dB(A)	68 dB(A)	59 dB(A)
Protection Level	IP66	IP66	IP66	IP66
Weather Adaptive	Weather Forecast + Rain Sensor	Weather Forecast + Rain Sensor	Weather Forecast + Rain Sensor	Weather Forecast
Maximum Slope Ability	84%(40°)	84%(40°)	84%(40°)	45% (24°)
Antenna Installation Request	No	No	No	No
Auto-Mapping	Yes	Yes	Yes	Yes
Auto-Recharge	Yes	Yes	Yes	Yes
Vertical Passing Ability	7 cm (15 cm of Gentle Slope)	7 cm (15 cm of Gentle Slope)	7 cm (15 cm of Gentle Slope)	4 cm
Multi-zone Management	120	120	120	20
GeoSketch™	Yes	Yes	Yes	No
Battery Capacity	10 Ah	12.8 Ah	15 Ah	5.1 Ah
Charging Time	75 min	90 min	100 min	120 min
Continuous Mowing Area per Day	2,000 m <sup>2</sup> / 8 Hours	3,000 m <sup>2</sup> / 11 Hours	5,000 m <sup>2</sup> / 15 Hours	1,500 m <sup>2</sup> / 24 Hours
Cutting Height	2-9.5 cm	2-9.5 cm	2-9.5 cm	2-6 cm
Cutting Height Adjustment Method	Auto	Auto	Auto	Manual
Cutting Width	43 cm	43 cm	43 cm	18 cm
Floating Cut System	Yes	Yes	Yes	No
Anti-Clogging Cutting Disc	Yes	Yes	Yes	No
Cutting Disc	2 Discs, 12 Blades	2 Discs, 12 Blades	2 Discs, 12 Blades	1 Disc, 5 Blades
GPS tracking	Yes	Yes	Yes	Yes
Out-of-Boundary Alarm	Yes	Yes	Yes	Yes
Lifted Alarm	Yes	Yes	Yes	Yes
Proximity Unlock	Yes	Yes	Yes	No
Find My	Yes	Yes	Yes	No
Object Recognition	200+	200+	200+	150+
Warranty	Device: 3 Years Battery: 2 Years	Device: 3 Years Battery: 2 Years	Device: 3 Years Battery: 2 Years	Device: 3 Years Battery: 2 Years
Smart Home Integration	Alexa & Google Home	Alexa & Google Home	Alexa & Google Home	Alexa & Google Home
Connectivity	Bluetooth & Wi-Fi & Cellular *	Bluetooth & Wi-Fi & Cellular *	Bluetooth & Wi-Fi & Cellular *	Bluetooth & Wi-Fi & Cellular *
Display	3.5' LCD Screen	3.5' LCD Screen	3.5' LCD Screen	LED Digital Display
OTA Updates	Yes	Yes	Yes	Yes
	*Connect+ (Cellular Connection): 1 year free for X420/X430 and 2 years free for X450, renewable for all models annually.			*Connect+ (Cellular Connection): 1 year free for all i2 AWD models, renewable annually.



Models	H206	H210	H215	H230
Recommended Mowing Area	600 m <sup>2</sup>	1,000 m <sup>2</sup>	1,500 m <sup>2</sup>	3,000 m <sup>2</sup>
Dimensions	624 × 445 × 295 mm	624 × 445 × 295 mm	624 × 445 × 295 mm	624 × 445 × 295 mm
Net Weight	15.65 kg	15.65 kg	16.0 kg	16.25 kg
Locating System	EFLS™ LiDAR+ (LiDAR + NRTK + Vision)	EFLS™ LiDAR+ (LiDAR + NRTK + Vision)	EFLS™ LiDAR+ (LiDAR + NRTK + Vision)	EFLS™ LiDAR+ (LiDAR + NRTK + Vision)
Object Detection System	VisionFence™ (140°RGB Camera + LiDAR)	VisionFence™ (140°RGB Camera + LiDAR)	VisionFence™ (140°RGB Camera + LiDAR)	VisionFence™ (140°RGB Camera + LiDAR )
Driving Engine	2 Rear Wheel	2 Rear Wheel	2 Rear Wheel	2 Rear Wheel
Noise Level	60 dB(A)	60 dB(A)	60 dB(A)	60 dB(A)
Protection Level	IP66	IP66	IP66	IP66
Weather Adaptive	Weather Forecast + Rain Sensor	Weather Forecast + Rain Sensor	Weather Forecast + Rain Sensor	Weather Forecast + Rain Sensor
Maximum Slope Ability	45% (24°)	45% (24°)	45% (24°)	45% (24°)
Antenna Installation Request	No	No	No	No
Auto-Mapping	Yes	Yes	Yes	Yes
Auto-Recharge	Yes	Yes	Yes	Yes
Vertical Passing Ability	3 cm	3 cm	3 cm	3 cm
Multi-zone Management	30	30	30	30
GeoSketch™	Yes	Yes	Yes	Yes
Battery Capacity	5.1 Ah	5.1 Ah	7.65 Ah	10 Ah
Charging Time	110 min	70 min	90 min	120 min
Continuous Mowing Area per Day	2,100 m <sup>2</sup> /24 Hours	2,800 m <sup>2</sup> / 24 Hours	3,300 m <sup>2</sup> / 24 Hours	3,800 m <sup>2</sup> / 24 Hours
Cutting Height	2-7 cm	2-7 cm	2-7 cm	2-7 cm
Cutting Height Adjustment Method	Auto	Auto	Auto	Auto
Cutting Width	22 cm	22 cm	22 cm	22 cm
Floating Cut System	No	No	No	No
Anti-Clogging Cutting Disc	Yes	Yes	Yes	Yes
Cutting Disc	1 Disc, 6 Blades	1 Disc, 6 Blades	1 Disc, 6 Blades	1 Disc, 6 Blades
GPS tracking	Yes	Yes	Yes	Yes
Out-of-Boundary Alarm	Yes	Yes	Yes	Yes
Lifted Alarm	Yes	Yes	Yes	Yes
Proximity Unlock	Yes	Yes	Yes	Yes
Find My	Yes	Yes	Yes	Yes
Object Recognition	200+	200+	200+	200+
Device&Battery	Device: 3 Years Battery: 2 Years	Device: 3 Years Battery: 2 Years	Device: 3 Years Battery: 2 Years	Device: 3 Years Battery: 2 Years
Smart Home Integration	Alexa & Google Home	Alexa & Google Home	Alexa & Google Home	Alexa & Google Home
Connectivity	Bluetooth & Wi-Fi & Cellular *	Bluetooth & Wi-Fi & Cellular *	Bluetooth & Wi-Fi & Cellular *	Bluetooth & Wi-Fi & Cellular *
Display	2.4' LCD Screen	2.4' LCD Screen	2.4' LCD Screen	2.4' LCD Screen
OTA Updates	Yes	Yes	Yes	Yes
*Connect+ (Cellular Connection): 1 Year free for all H2 models, renewable annually.				



# Navimow Commercial Solution

Your Smart. Professional. Productivity Partner



# Navimow Commercial Solution

Providing efficient, professional, and green lawn maintenance solutions, we are committed to helping partners tackle labor shortages, enhance mowing efficiency and quality, and reduce operating costs.

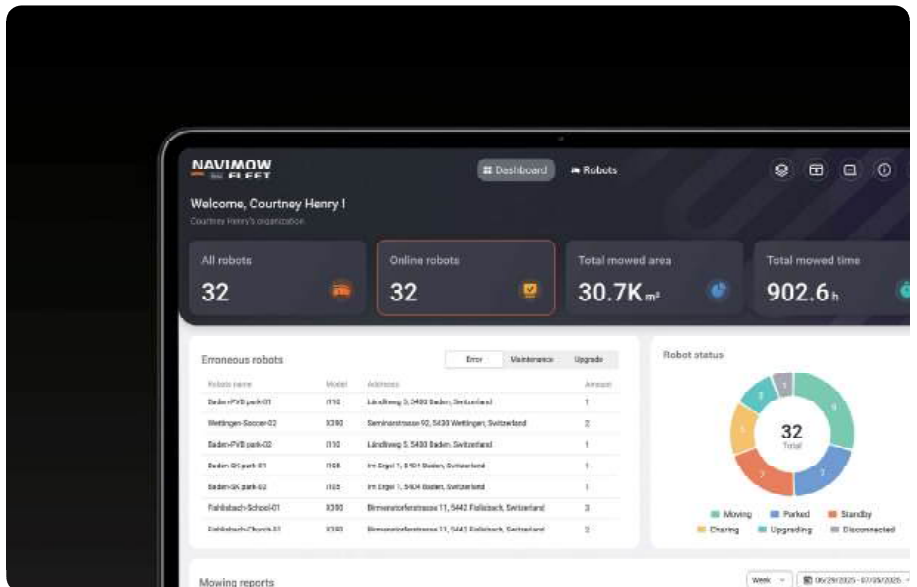
## Navimow Terranox Robotic Mowers

Autonomous operation  
All terrain  
Precision positioning & auto-mapping system  
24/7 continuously operation capabilities



## NavimowFleet™

24/7 Monitoring  
Remote mower control  
Effortless management



## Navimow Care & Support

Full warranty  
Over 400+ service hubs  
End-to-end service

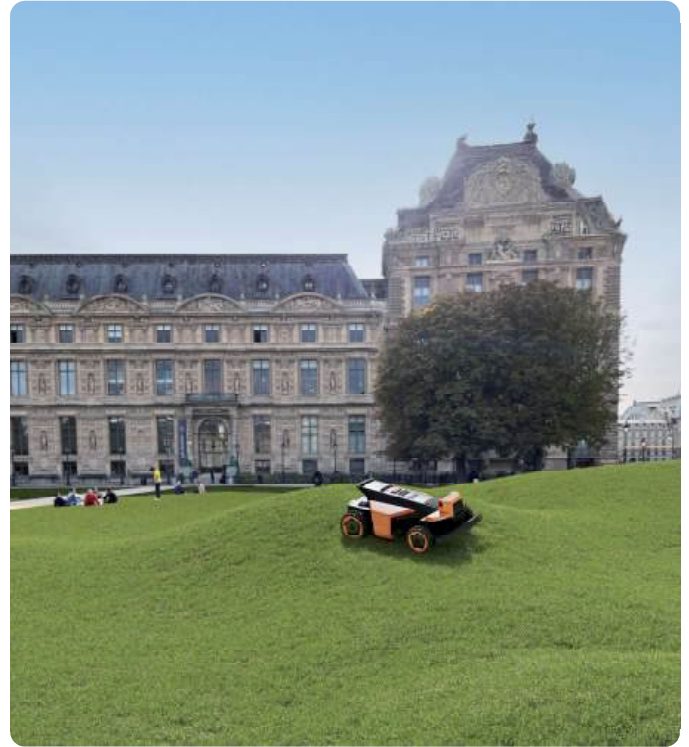


# Engineered for Large, Complex Commercial Turf Management Applications

Navimow delivers top robotic mowing solutions for 24/7 beautiful turf. Emission-free, nearly silent, our mowers offer high-quality cuts and costs savings—ideal for sports fields, city greens, hotels, etc.



**Football Pitch**



**City Greens**



**Golf Courses**



**Hotels & Resorts**

# Navimow Terranox CM120M1 | CM240M1

Meet the next generation of commercial robotic mowers. Smart. Professional. Productive.



## Effortless Management with Navimow App

Auto Mapping Supported  
Remote Monitor and Control  
Easy Management via [NavimowFleet™](#)



## Efficiency Guaranteed

Maximum mowing area  
12000 m<sup>2</sup> | 24000 m<sup>2</sup>  
Time of mowing a pitch 24hours



## Completely Green

Zero direct emissions



## Quiet operation

Under 68dB(A)



## Highly Precise

EFLS™ NRTK (NRTK+360°Vision+VIO)

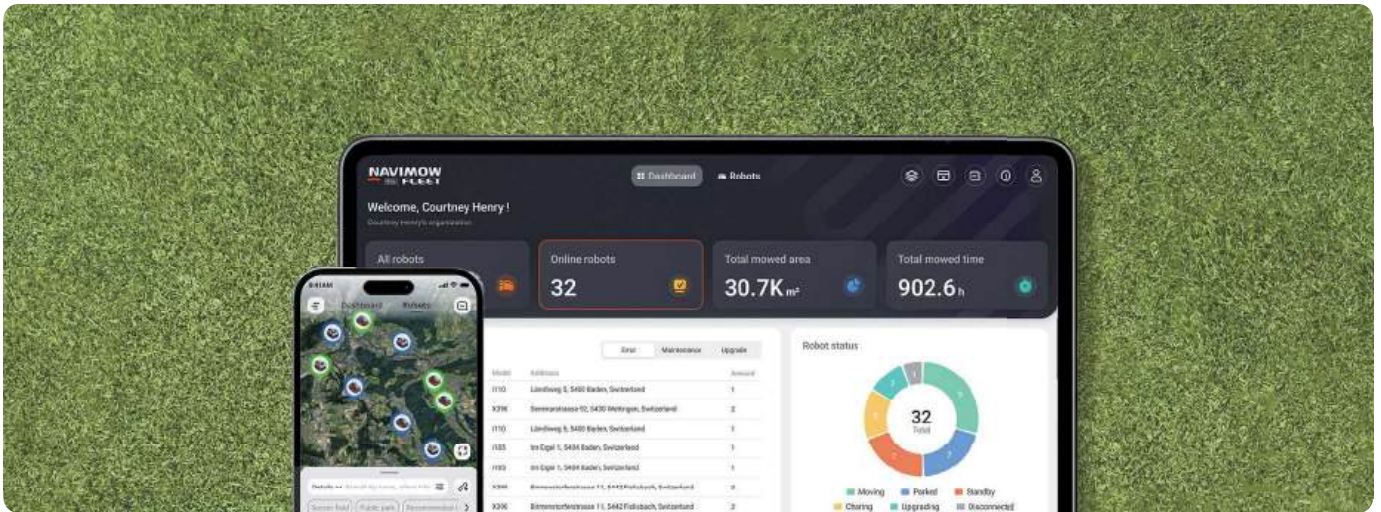


## No Grass Damage

AWD Drivetrain & Technology

# NavimowFleet™ Service

A digital tool that gives you an overview of your entire fleet – including each machine's geographical position, work performance and technical status – right on your smartphone, tablet or laptop.



24/7 Monitoring



Remote mower control



Effortless management

Models	CM120M1	CM240M1
Maximum Mowing Area	12,000 m <sup>2</sup>	24,000 m <sup>2</sup>
Dimensions	850 × 610 × 351 mm	850 × 610 × 351 mm
Net Weight	29.6 kg	30.0 kg
Locating System	EFLS™ NRTK (NRTK+360°Vision+VIO)	EFLS™ NRTK (NRTK+360°Vision+VIO)
Object Detection System	VisionFence™ (360° RGB Camera + ToF)	VisionFence™ (360° RGB Camera + ToF)
Driving Engine	4WD with dual independent steering motors	4WD with dual independent steering motors
Noise Level	68 dB(A)	68 dB(A)
Protection Level	IP66	IP66
Weather Adaptive	Weather Forecast + New Rain Sensor	Weather Forecast + New Rain Sensor
Maximum Slope Capability	84% (40°)	84% (40°)
Antenna Installation Request	Optional	Optional
Auto-Mapping	Yes	Yes
Auto-Recharge	Yes	Yes
Vertical Passing Ability	7 cm (15 cm for gentle slope)	7 cm (15 cm for gentle slope)
Multi-Zone Management	Yes	Yes
Signal Enhancement Antenna	Yes	Yes
Battery Capacity	20 Ah	25 Ah
Charging Time	145 min	180 min
Full Charge Mowing Time	145 min	180 min
Continuous Mowing Area(24 hrs)	7200 m <sup>2</sup>	8000 m <sup>2</sup>
Cutting Height	20-95 mm	20-95 mm
Cutting Height Adjustment Method	Auto	Auto
Cutting Width	43 cm	43 cm
Floating Cut System	Yes	Yes
Anti-Clogging Cutting Disc	Yes	Yes
Cutting Disc	2 discs, 12 blades	2 discs, 12 blades
GPS Tracking	Yes	Yes
Out-of-Boundary Alarm	Yes	Yes
Object Recognition	200+	200+
Warranty	Device 2 years / Battery 1 year	Device 2 years / Battery 1 year
Connectivity	Bluetooth & Wi-Fi & Cellular	Bluetooth & Wi-Fi & Cellular
Display	3.5' LCD screen	3.5' LCD screen
OTA Updates	Yes	Yes





### Follow us on



Instagram:  
@Segway Navimow



Facebook:  
@Segway Navimow



Facebook Group:  
@Segway Navimow

### Contact us

**Marketing Cooperation:**  
navimow-marketing@rlm.segway.com

**Business Inquiries:**  
navimow@rlm.segway.com

---

#### Legal Disclaimer

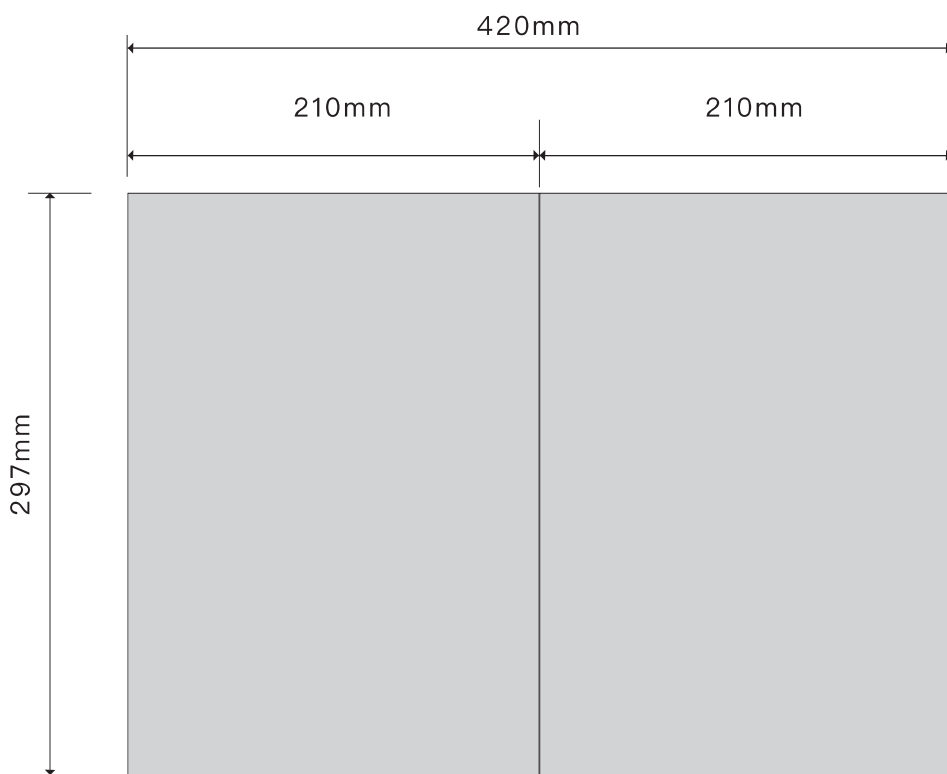
Product performance data and specifications are derived from controlled conditions. Actual results may vary. We reserve the right to make changes to product design and specifications without prior notice. Illustrations may differ from the final product.

For detailed information, please visit [navimow.segway.com](http://navimow.segway.com)

©2026 Willand, All rights reserved.

# 此页不印刷

图示		成型尺寸	210*297mm
—	裁切线	展开尺寸	420*297mm
—	出血线	装订方式	胶装
		纸张规格	封面: <b>250g</b> 双铜; <b>150g</b> 双铜
		公差 (无特殊说明下)	



## 技术说明：

- 1、材质：封面 250g 铜版纸，覆哑膜，内页 100g 铜版纸
- 2、印刷颜色：CMYK, Pantone 172C ■ PANTONE Cool Gray 6 C ■
- 3、外观工艺要求：图案、字体完整，清晰；表面洁净；不许有明显的外观不良
- 4、其它：化学环保要求：欧盟 ROHS;REACH-SVHC;REACH 附录 17; POPs;TSCA;CA65;TPCH 新增;MOAH&MOSH;

				工艺类别			S26 Catalogue
				营销物料定制			
				等级	质量		/
标记	处数	更改文件号		B			
设计	盛宏倩 赵洋 杨滢存 毛明 王姝丹	20261113		版本	图幅	比例	Navimow
			审核	A	-	1:1	
校准	市场部	20261113		投影视角			
标准化			批准	第 1 页	共 64 页		